



# INSTALLATION & ASSEMBLY INSTRUCTIONS

Item No.: SC433

**Attention:**

*Before assembling your lighting fixture, please read the following instructions. If you feel you do not have sufficient electrical experience, refer to a do-it-yourself wiring handbook or have your fixture installed by a qualified licensed electrician.*

GENERAL

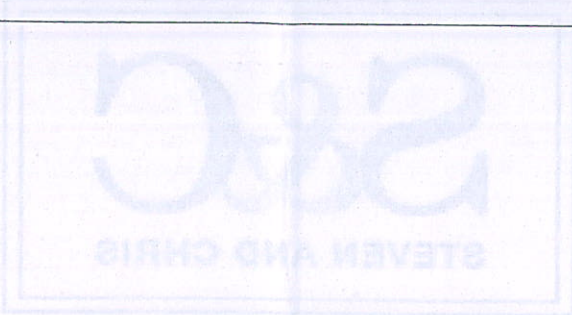
1. To ensure the success of the installation, be sure to read these instructions and review the diagrams thoroughly before beginning.
2. All electrical connections must be in accordance with local codes, ordinances, or the National Electrical Code. If you are unfamiliar with methods of installing electrical wiring, secure the services of a qualified licensed electrician.
3. These fixtures are intended for mounting to a standard 4" x 2 ¼" deep metal octagon outlet box. The box must be directly supported by the building structure.
4. Before commencing with the installation, **disconnect the power by turning off the circuit breaker** or by removing the fuse at the fuse box. Turning the power off using the light switch is not sufficient to prevent electrical shock.

**NOTE:**

*The important safeguards and instructions appearing in this manual are not meant to cover all possible conditions and situations that may occur. It must be understood that common sense, caution and care, are factors that cannot be built into any product. The person(s) caring for and operating the fixture must supply these factors.*

**CAUTION:**

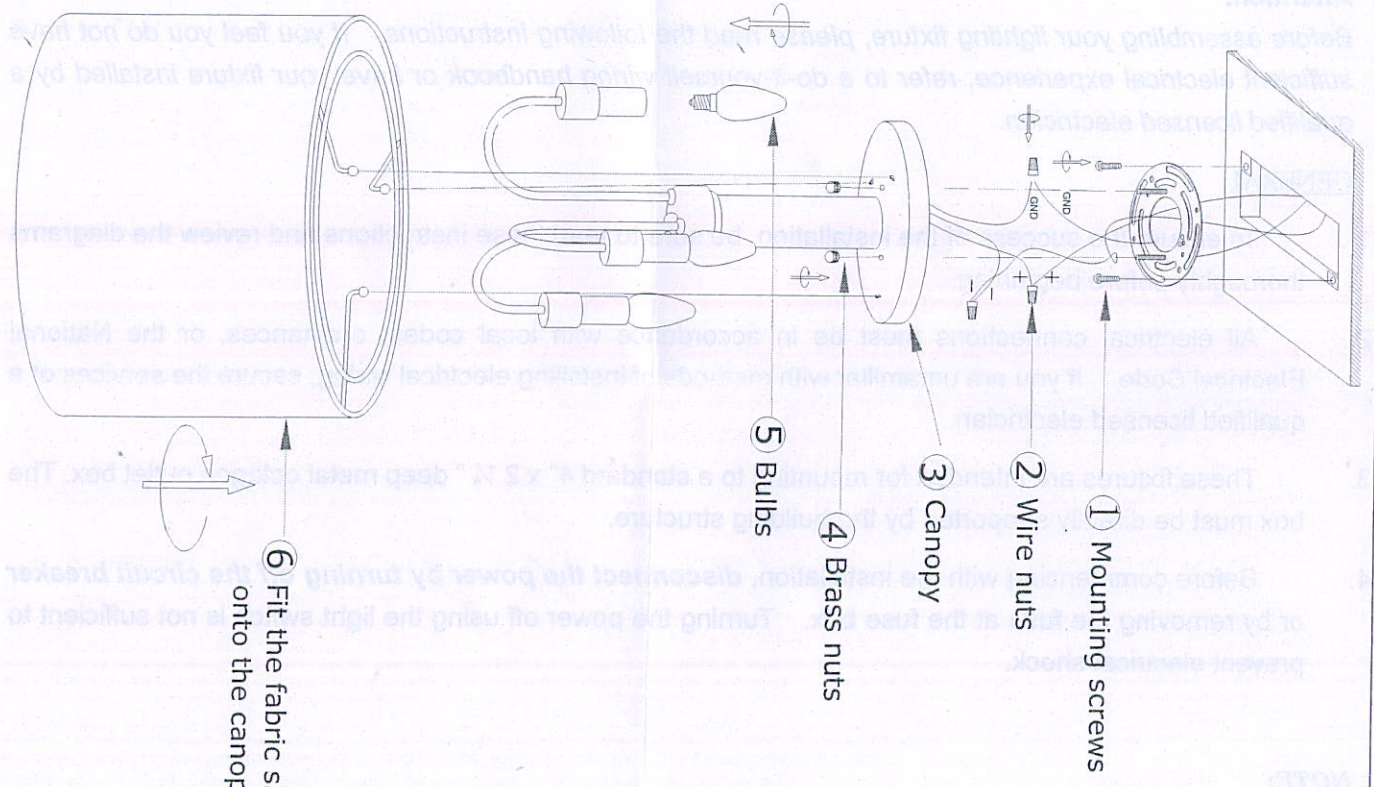
- **Ensure that the Fitting is Cool and Switched off, Before Changing Bulb.**
- **Do Not use Bulbs Exceeding Maximum Wattage, As Per Caution Label.**



# INSTALLATION & ASSEMBLY INSTRUCTIONS

Item No.: SC433

Attention:



NOTE: The important adjustments and instructions appearing in this manual are not meant to cover all possible conditions and situations that may occur. It must be understood that common sense, caution and care are factors that cannot be built into any product. The person(s) caring for and operating the fixture must supply these factors.

CAUTION:

Do not use bulbs exceeding Maximum Wattage As Per Caution Label.  
Ensure that the Firing is Cool and Switched Off Before Changing Bulb.